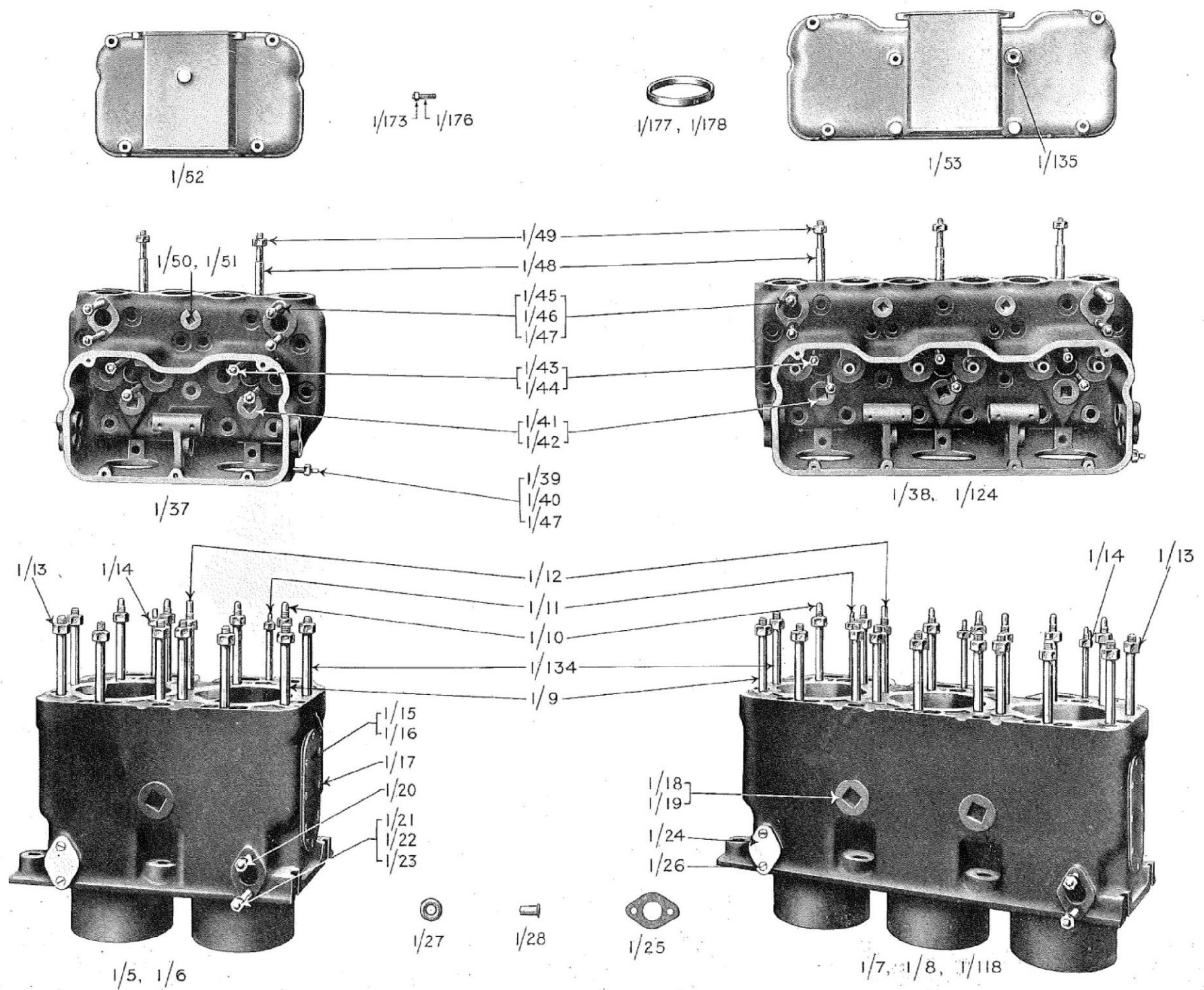
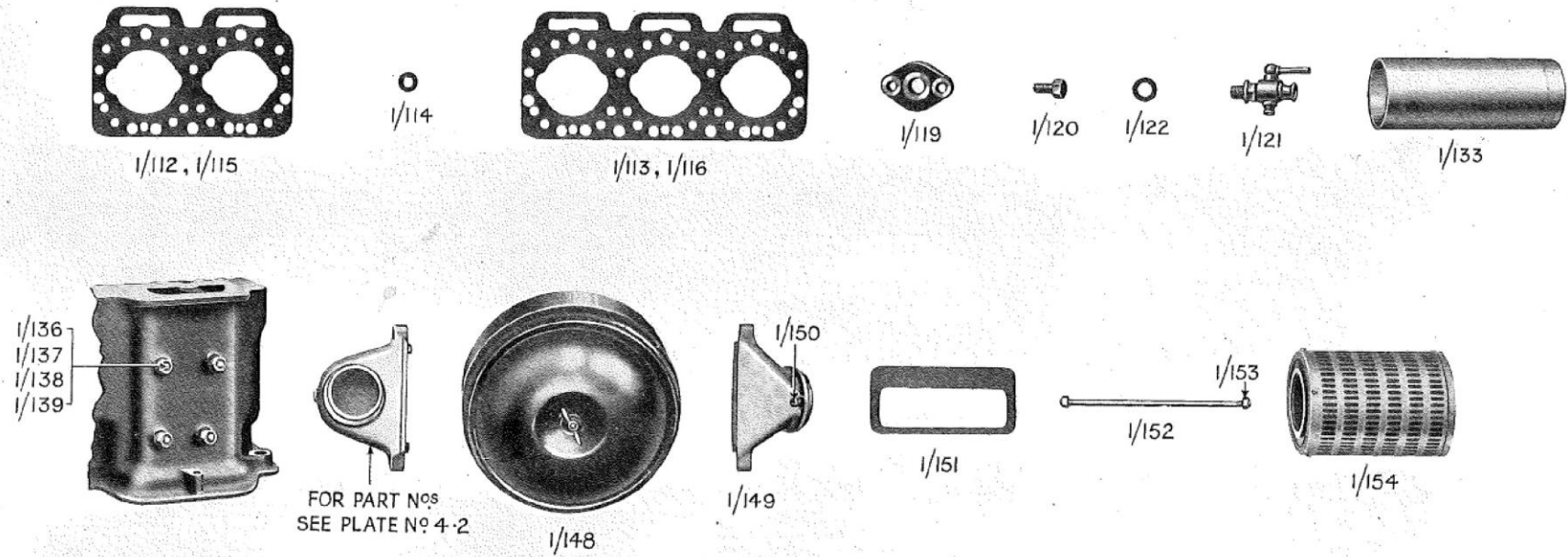


NOTE.—The numbers refer to Plates and not to Sections.

IMPORTANT.—This is a composite illustration embracing all states of design of the LW Engine, and in no sense must it be regarded as standard.

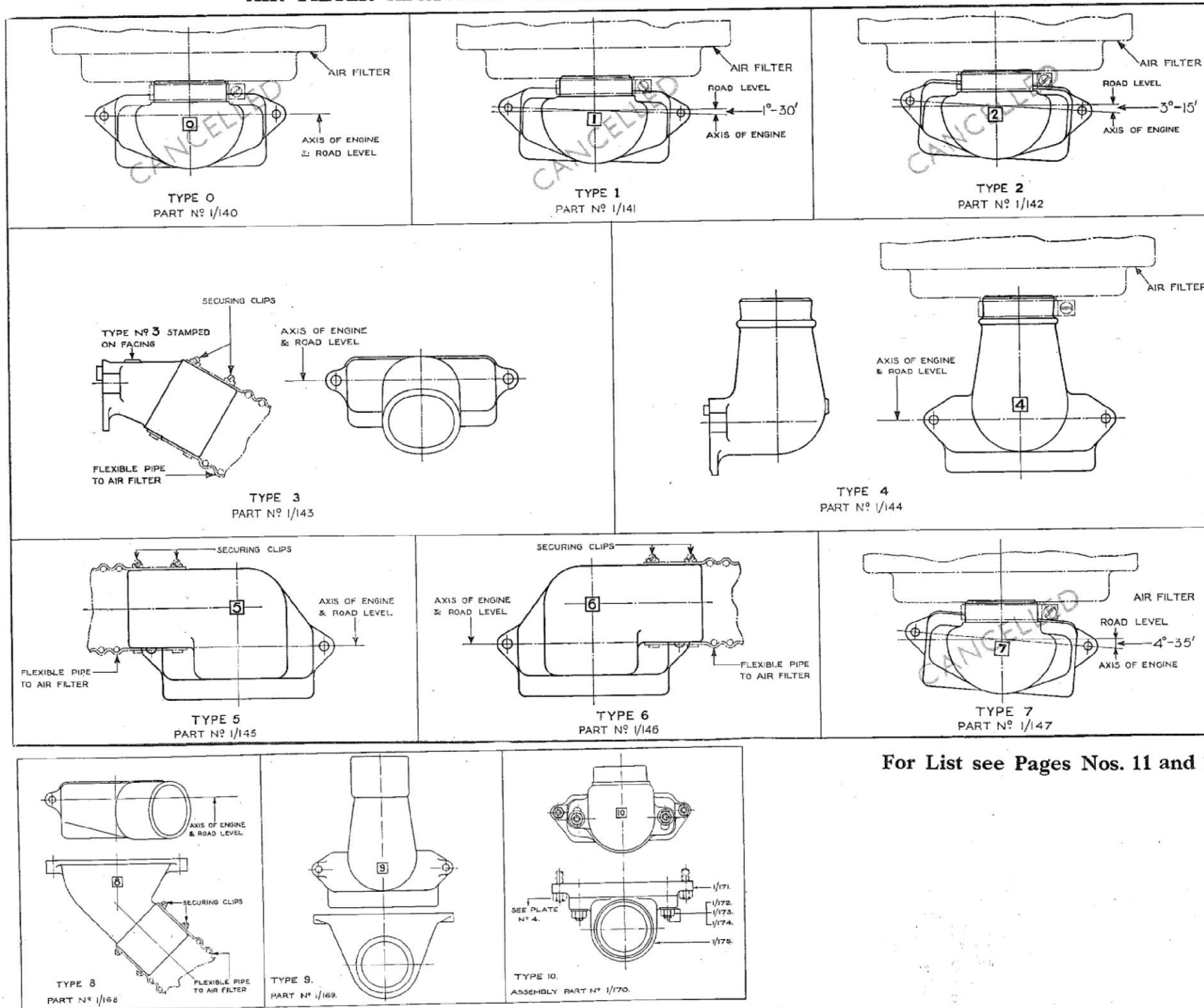


## CYLINDER BLOCK, HEAD, HEAD COVER AND AIR FILTER—Section 1—Plate 4-1



For List see Pages Nos. 10 to 12

AIR FILTER ADAPTERS—ALTERNATIVE TYPE—Section 1—Plate 4-2



For List see Pages Nos. 11 and 12