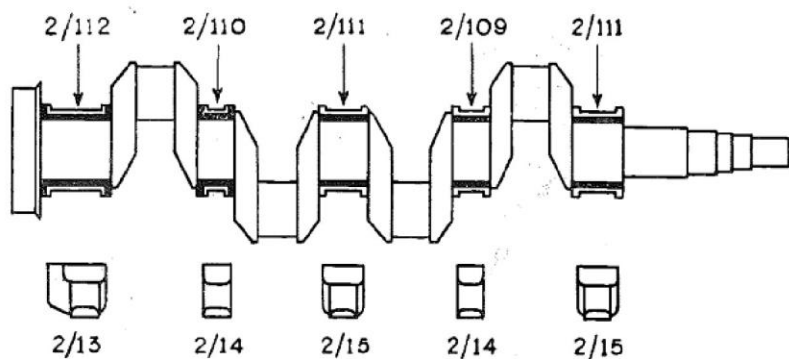
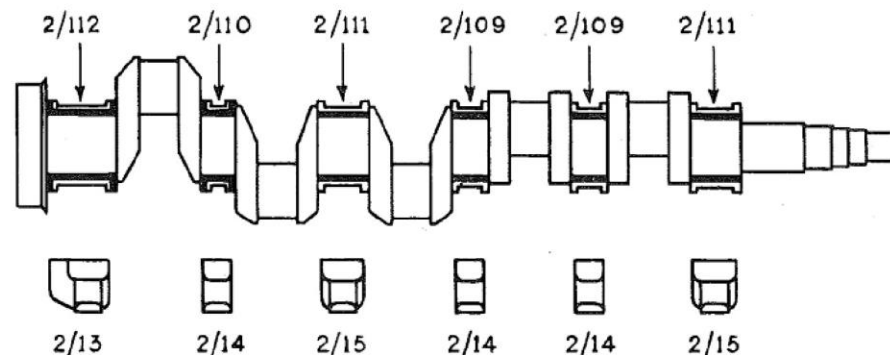


For List see Pages Nos. 29 and 30

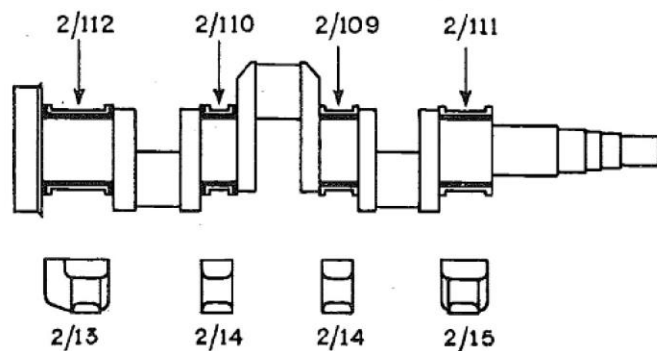
DISPOSITION OF MAIN BEARINGS AND CAPS—Section 2—Plate 8



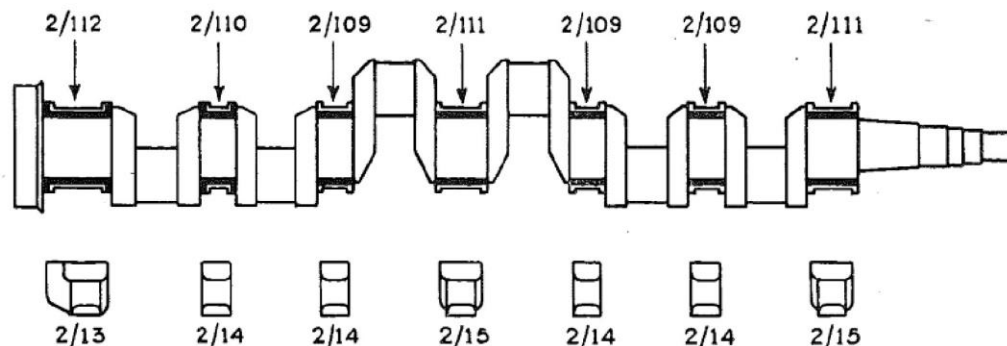
4LW



5LW



3LW

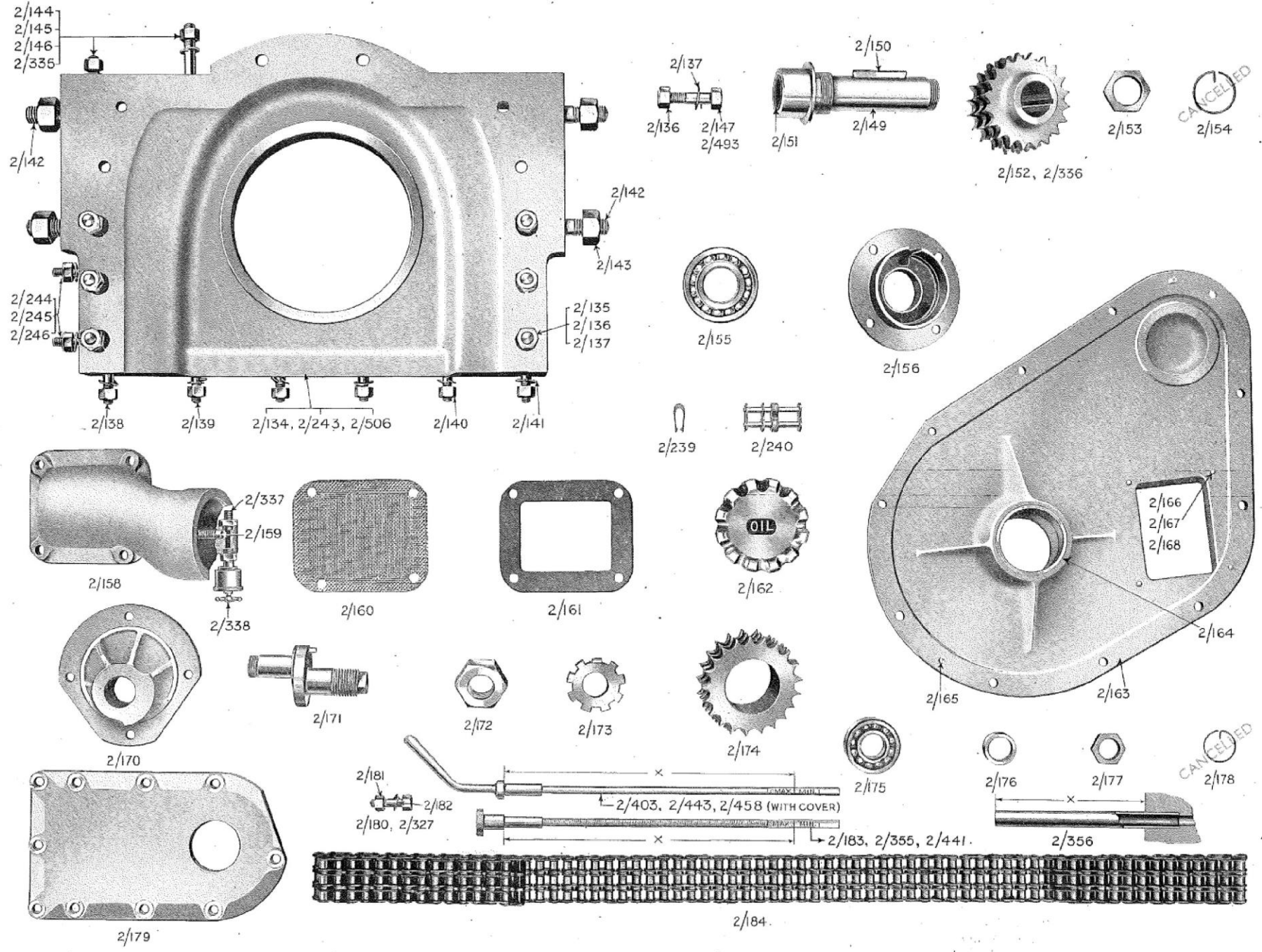


6LW

DISPOSITION OF MAIN BEARINGS AND CAPS REFERRED TO IN SECTION 2.

NOTE.—The location bearing No. 2/110 is babbited on the flange, and only in this respect does it differ from the short bearing number 2/109.

CRANKCASE DETAILS, PLAIN END PLATE, CHAIN DRIVE, OIL FILLER AND OIL LEVEL DIP ROD—Section 2—Plate 9



For List see Pages Nos. 21, 22, 24, 26, 27, 29, 31 to 33

CRANKCASE FLANGED END PLATE, SUPPORTING FEET AND STARTING HANDLE DETAILS—Section 2—Plate 9-1

