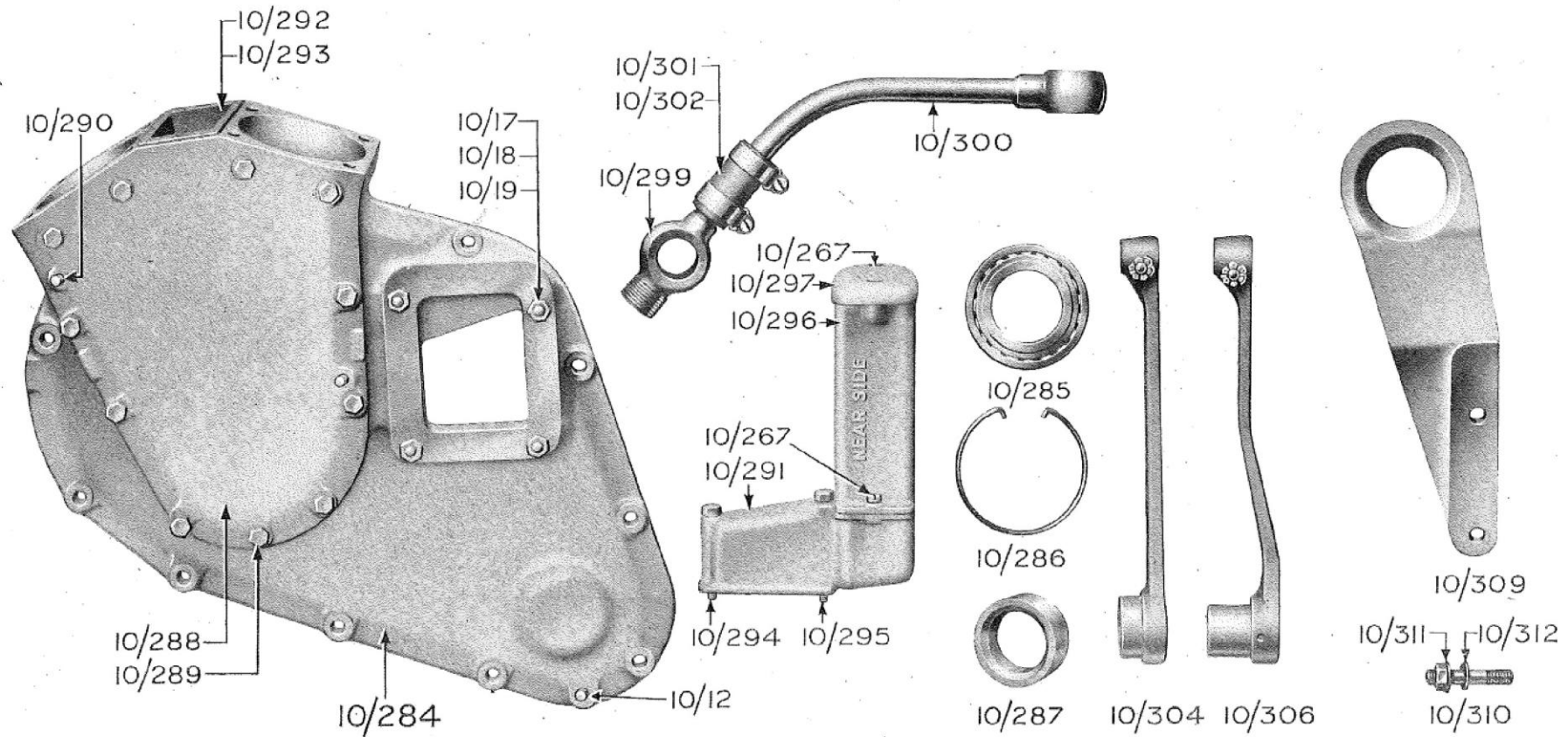


For List see Pages Nos. 95, 96, 98, 99, 102, 104

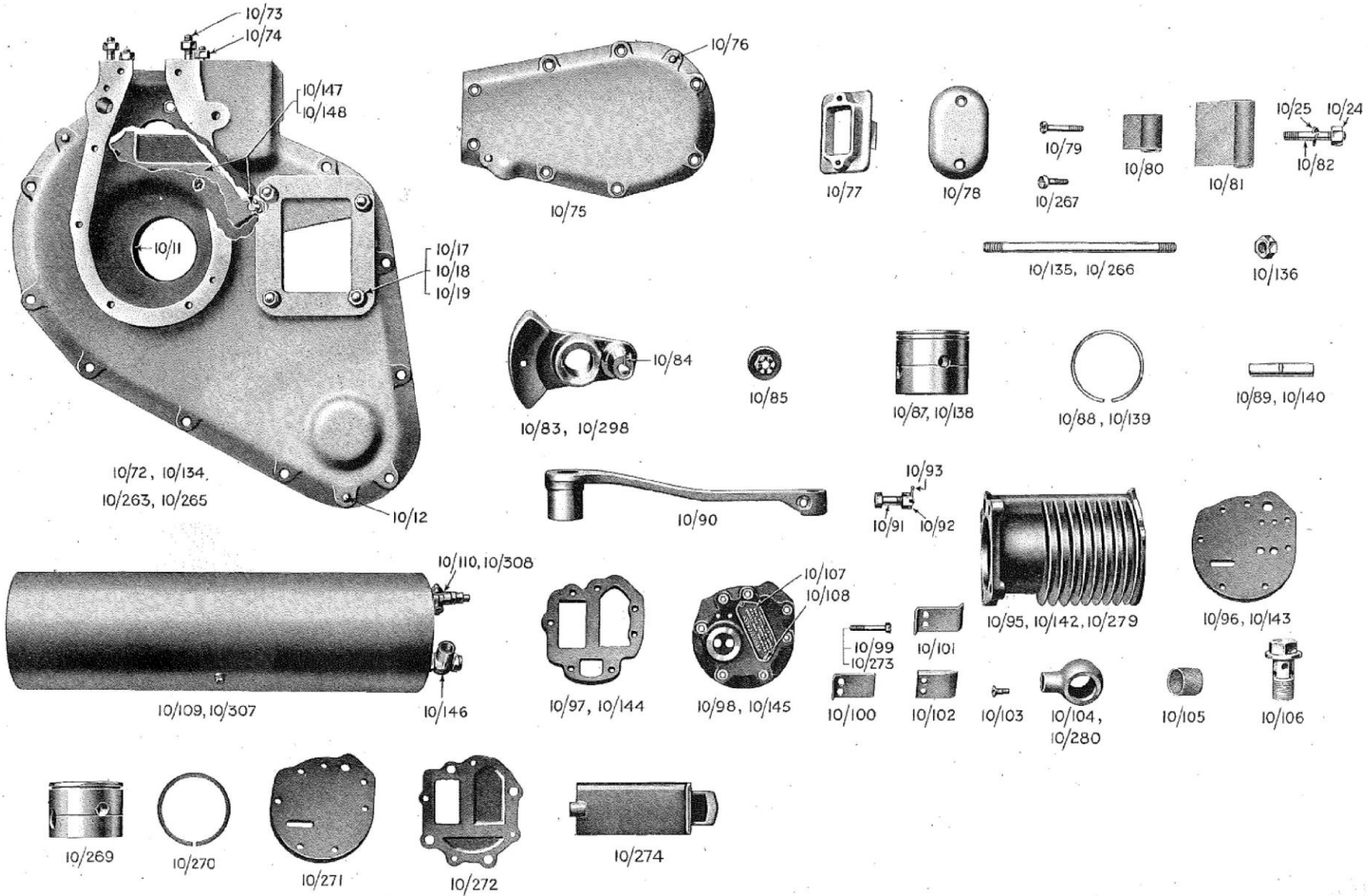
GARDNER

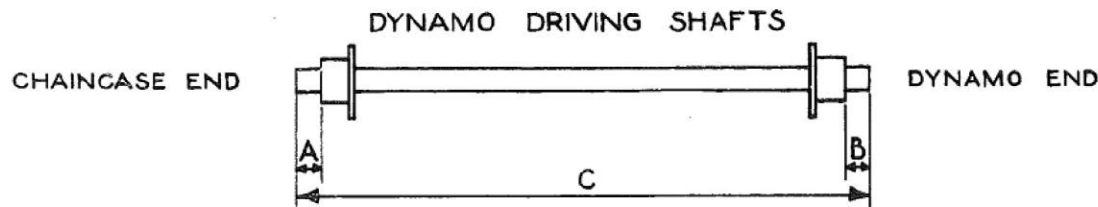
EXHAUST SILENCER, EXHAUSTER, ELECTRIC STARTER AND DYNAMO—Section 10—Plate 19-1A



For List see Pages Nos. 103 and 104

EXHAUST SILENCER, EXHAUSTER, ELECTRIC STARTER AND DYNAMO—Section 10—Plate 19-1





4LW					5LW					6LW				
A	B	C	PART N ^o	REMARKS	A	B	C	PART N ^o	REMARKS	A	B	C	PART N ^o	REMARKS
$\frac{5}{8}$ "	$\frac{7}{16}$ "	$10\frac{1}{16}$ "	10/162		$\frac{5}{8}$ "	$\frac{7}{16}$ "	$15\frac{1}{32}$ "	10/174		$1\frac{9}{16}$ "	$1\frac{9}{16}$ "	$17\frac{9}{16}$ "	10/188	
"	"	11"	10/163		"	"	$16\frac{7}{16}$ "	10/175		$\frac{5}{8}$ "	$\frac{7}{16}$ "	$19\frac{3}{8}$ "	10/189	
"	"	$11\frac{5}{32}$ "	10/45		"	"	$16\frac{13}{16}$ "	10/176		"	$\frac{5}{8}$ "	$19\frac{11}{16}$ "	10/190	
"	$\frac{5}{8}$ "	$11\frac{5}{32}$ "	10/164		"	"	$17\frac{1}{16}$ "	10/177		"	"	$20\frac{3}{16}$ "	10/191	
"	$\frac{7}{16}$ "	$11\frac{3}{4}$ "	10/165		"	$\frac{5}{8}$ "	$17\frac{1}{16}$ "	10/46		"	$\frac{7}{16}$ "	$20\frac{7}{16}$ "	10/47	
"	$\frac{5}{8}$ "	$11\frac{13}{16}$ "	10/166		"	$\frac{7}{16}$ "	$17\frac{19}{32}$ "	10/178		"	"	$20\frac{11}{16}$ "	10/192	
"	$\frac{7}{16}$ "	$11\frac{27}{32}$ "	10/167		"	$\frac{5}{8}$ "	$17\frac{5}{8}$ "	10/179		"	$\frac{5}{8}$ "	$21\frac{1}{16}$ "	10/193	13 ^s GAUGE THICK
"	"	$12\frac{3}{32}$ "	10/168		"	$\frac{7}{16}$ "	18"	10/180		"	"	$21\frac{1}{16}$ "	10/194	$\frac{1}{8}$ " THICK
"	"	$12\frac{9}{32}$ "	10/169		"	$\frac{5}{8}$ "	18"	10/181		"	"	$21\frac{5}{16}$ "	10/195	
"	"	$12\frac{3}{4}$ "	10/170		"	$\frac{7}{16}$ "	$18\frac{1}{8}$ "	10/182		"	"	$21\frac{3}{8}$ "	10/196	
"	"	$12\frac{29}{32}$ "	10/171		"	"	$18\frac{7}{16}$ "	10/183		"	$\frac{7}{16}$ "	$21\frac{15}{32}$ "	10/197	
"	$\frac{5}{8}$ "	13"	10/172		"	$\frac{5}{8}$ "	$18\frac{7}{8}$ "	10/184		"	"	$21\frac{11}{16}$ "	10/198	
"	$1\frac{1}{16}$ "	$13\frac{5}{8}$ "	10/173		"	$\frac{7}{16}$ "	19"	10/185		"	$\frac{5}{8}$ "	$21\frac{13}{16}$ "	10/199	
					"	$\frac{5}{8}$ "	$19\frac{3}{8}$ "	10/186		"	$\frac{7}{16}$ "	$21\frac{7}{8}$ "	10/200	
					"	$\frac{7}{16}$ "	$19\frac{7}{16}$ "	10/187		"	"	$22\frac{1}{16}$ "	10/201	
					"	$\frac{5}{8}$ "	$17\frac{7}{16}$ "	10/281		"	$\frac{5}{8}$ "	$22\frac{3}{32}$ "	10/202	13 ^s GAUGE THICK
										"	"	$22\frac{3}{32}$ "	10/203	$\frac{1}{8}$ " THICK
										"	"	$22\frac{1}{8}$ "	10/204	
										"	$\frac{7}{16}$ "	$22\frac{3}{8}$ "	10/205	
										"	$1\frac{1}{8}$ "	$21\frac{1}{4}$ "	10/282	

For List see Pages Nos. 96, 99, 100, 103